

SIGN	DATE	DESCRIPTION	APPROVER
△	8/07'06	Added VDE standard	梁仁松
△	12/02'08	With flange screw changed from“-“slot type to “+/-“slot type	Jacke
△	12/02'08	The temperature is changed from -30°C,+105°C to -40°C +115°C	Jacke
△	2010.11.26	The tolerance is changed	Jacke

THIS IS CAD DRAWING, DO NOT REVISE MANUALLY!!!

Material

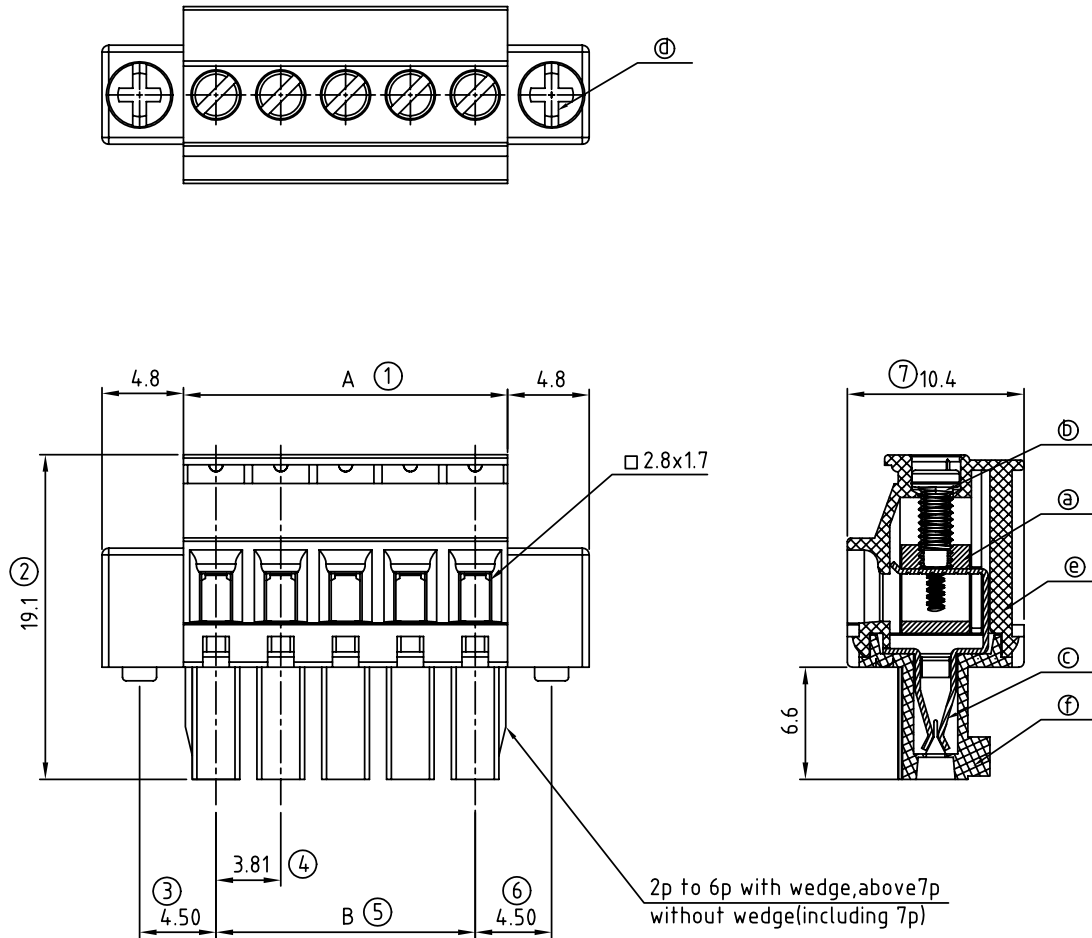
- Item a Clamp: Brass(CuZn) Ni plated
- Item b Terminal screw: Steel Zinc plating “-“ slot type
- Item c Female contact: PhBz Tin plated
- △ ● Item d With flange screw: Steel Zinc plating M2.5 “+/-“ slot type
- Item e Terminal(housing): Thermoplastic (UL94V-0)
- Item f Terminal(cover) :Thermoplastic (UL94V-0)

△ Electrical cULus/VDE

- Voltage rating: 300VAC/300VAC
- Current rating: 8A/10A
- Wire range: 1.5mm²
- Solid wire(AWG): 16-28
- Stranded wire(AWG): 16-28
- Torque: 1.7Lb-In./0.2Nm
- Screw: M2
- Wire strip length: 6-7mm
- Withstanding Voltage: 1.6KV/2.5KV
- △ ● Operating temperature: -40°C to +115°C
- Safety approval: cULus VDE

TS xx 3 1 x D xxxx G

No. OF POLES	↓	RoHS pb<40, 000ppm
02: 2 POLES		
:	Color	
24: 24 POLES	0 Black (RAL9005)	0000 Standard @ Logo
	2 Red (RAL3001/D)	000A Standard ANY Logo
	3 Orange(RAL2011/P)	Any special item by
	4 Yellow(RAL1018/A)	customer request,
	5 Green(RAL6018/T)	please contact sales
	6 Blue (RAL5015/A)	department.
	8 Grey(RAL7035/D)	



2p to 6p with wedge, above 7p without wedge (including 7p)

DIMENSION
N = Number of contacts

A	NX3.81
B	(N-1)X3.81

Poles	Tolerance
2p-6p	±0.15
7p-12p	±0.20
13p-16p	±0.25
17p-24p	±0.30

ANYTEK				CUSTOMER COPY			
ALL RIGHTS RESERVED. REPRODUCTION OR ISSUE TO THIRD PARTIES IN ANY FORM WHATSOEVER IS NOT PERMITTED WITHOUT WRITTEN AUTHORITY FROM THE PROPRIETOR. PROPERTY OF ANYTEK TECHNOLOGY CO., LTD							
TITLE		TS-3.81mm Series With flange (for latch on back side)					
PART NO.		TSxx31xDxxxxG			DWG NO.		8TS0304
APPROVED		CHECKED	DESIGNED	DRAWN	CUST NO.		Tolerance
		Jacke	Jacke				X. ±0.50
		2010.11.29	2009.12.23				X.X ±0.30
							X.XX ±0.10
							X° ±1°
						UNIT: mm	
						SCALE: NONE	
						SHEET: 01/01	
						REV.: G	